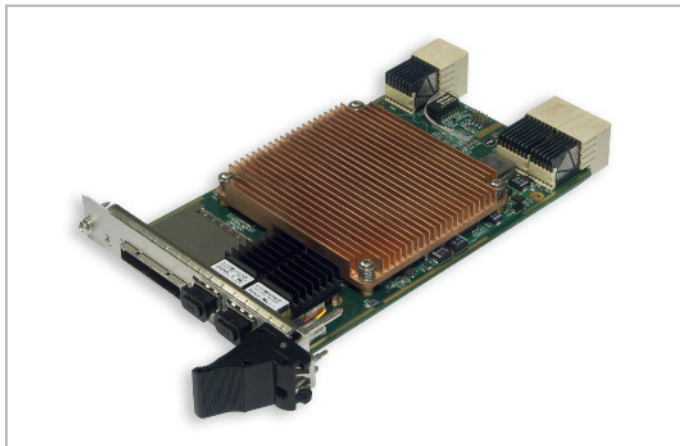


KIC552

3U CompactPCI Serial PCI Express Switchboard



Features

- Compatibility with PICMG/VITA standards: PICMG CPCI-S 1.0 D0.70
- CompactPCI Serial
- PCI Express External Cabling
- PCI Express Fiber Optics
- Compatibility with OS: Linux Debian 7.0 32 bit, Astra Linux 64 bit
- Weight: No more than 600 g.
- Power supply: +12 V \pm 10%, power consumption: no more than 40 W
- MTBF: No less than 100 000 hours

Overview

KIC552 Interface Module represents a 3U Compact PCI switchboard of PCI Express interface and is designed for mission critical applications.

Technical Specifications

CompactPCI Serial

- PCIe x8 GEN1 (2,5 Gb/sec) / GEN2 (5 Gb/sec)
- Data and frequency re-drivers
- Size: 3U/4HP

PCI Express External Cabling

- PCIe x8 GEN1 (2,5 Gb/sec) / GEN2 (5 Gb/sec)
- Data and frequency re-drivers
- Support of AOL (Active Optical Link)
- Switchable operation mode of PCI Express port: Upstream, Downstream, NTB
- Switchable clocking mode: SSC, CFC
- Indication of connection and its speed on the front panel
- ESD protection 8 kV (air) / 4 kV (contact)

PCI Express Fiber Optics

- PCIe x8 GEN1 (2,5 Gb/sec) / GEN2 (5 Gb/sec)
- Switchable operation modes of PCI Express port: Upstream, Downstream, NTB;
- Cable connection QSFP (8 Fiber, 50um MMF, MTP/MPO) with a length up to 50 m
- Indication of connection and its speed on the front panel

Power

- Power supply voltage: +12 V \pm 10%
- Maximum current: no more than 4 A
- Power consumption: no more than 40 W

Cooling type

- Convection cooling

Module weight

- No more than 600 g.

Software compatibility

- Linux Debian 7.0 32 bit
- Astra Linux 64 bit

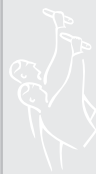
Compatibility with PICMG/VITA standards

- PICMG CPCI-S 1.0 D0.70

MTBF

- No less than 100 000 hours

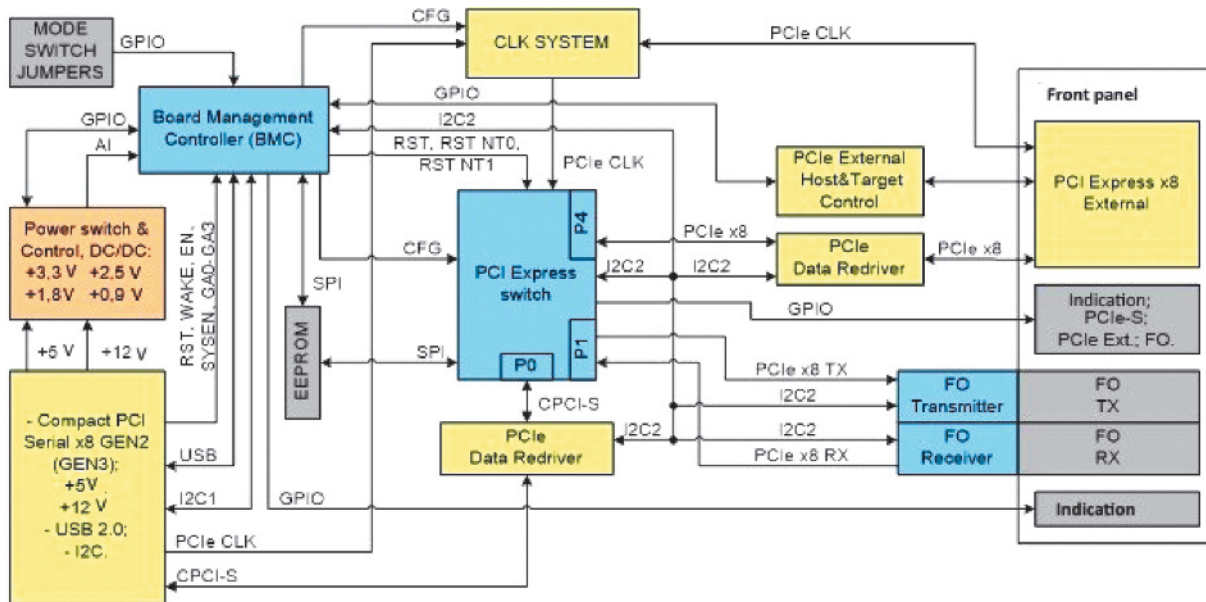
Module corresponds to the RoHS directives



KIC552

3U CompactPCI Serial PCI Express Switchboard

Board Layout



Ordering Information

KIC552 Configuration

KIC552 - 01 - C

Configurations

- KIC552-01-C Interface module with Fiber Optics, commercial version: operating temperature range: 0...+70°C
- KIC552-02-I Interface module with Fiber Optics, industrial version: operating temperature range -40...+85°C
- KIC552-03-C Interface module without Fiber Optics, commercial version: operating temperature range 0...+70°C
- KIC552-04-I Interface module without Fiber Optics, industrial range: operating temperature range -40...+85°C

KIC552 Available Options

| Coating | |
|---------|-------------------|
| \COATED | Conformal coating |

Delivery checklist

KIC552 delivery checklist contains:

1. KIC552 Interface Module
2. Packaging

Corporate Offices

FASTWEL GROUP Co. Ltd
 108 Profsoyuznaya str.
 Moscow, Russia 117437
 Tel: +7 (495) 232-1681
 Fax: +7 (495) 232-1654
 E-mail: info@fastwel.com
 Web: www.fastwel.com

FASTWEL Corporation US
 Fastwel Corporation US
 6108 Avenida Encinas,
 Suite B, Carlsbad,
 CA 92011.
 Phone: 858-488-3663
 E-mail: info@fastwel.com



Ver.1.10.2015

Product specifications are subject to change without notice